

THERMOSTATS & CONTROLLERS

70°

LINE-VOLTAGE THERMOSTAT

T22, T25, T26, T46

DESCRIPTION

These **Johnson Controls** thermostats are designed for line-voltage control of residential, commercial, or industrial heating or year-round air conditioning. A liquid-charged temperature sensing element, highly efficient diaphragm, and lever provide precise temperature control. Anticipators are not required.

Model T26 is a line-voltage thermostat for heating or cooling and includes horizontal mounting faceplate kit.

Model T25 is a line-voltage two-stage thermostat. Applications include two stages of heating or cooling or auto changeover control of heating and cooling.

Model T22 is a line-voltage thermostat with a system selector switch for off/auto or heat/off/cool operation.

Model T46 is a line-voltage, heating, cooling or heating/cooling thermostat with integral system and fan switching. It is designed to control line-voltage fan coils or zone valves.



T46



T26



T25



T22



FEATURES

- **Knob or concealed set point adjustment**
- **Line- or low-voltage control**
- **UL listing**
- **Mounts on standard single- or double-gang box**
- **Bimetal thermometer**
- **Ideal for fan coil applications**

SPECIFICATIONS

Thermostat Range	40° to 90°F (5° to 30°C)	Approvals	UL Listed File #E6688/XAPX
Mounting	Separate mounting plate	Weight	1.30 lb (0.59 Kg)
Sensing Element	Liquid filled for positive trouble-free operation (anticipator not required)	Warranty	1 year
Thermometer	50° to 90°F (10° to 30°C), bimetal type may be field calibrated		

ELECTRICAL RATINGS

T22, T25, T26, T46 Thermostats, (T26T-3, T22T) Heavy Duty Thermostat

Pilot Duty and Motor Ratings	120V	208V	240V	277V
AC full load amp	6 (8)	3.4 (8)	3 (8)	T25-125 VA pilot duty
AC locked rotor amp	36 (48)	21 (48)	18 (48)	-
AC non-inductive amp	6.5 (10)	6.5 (10)	6.5 (10)	6.5 (10) not T46 or T25

T46 System and Fan Switch Rating Only

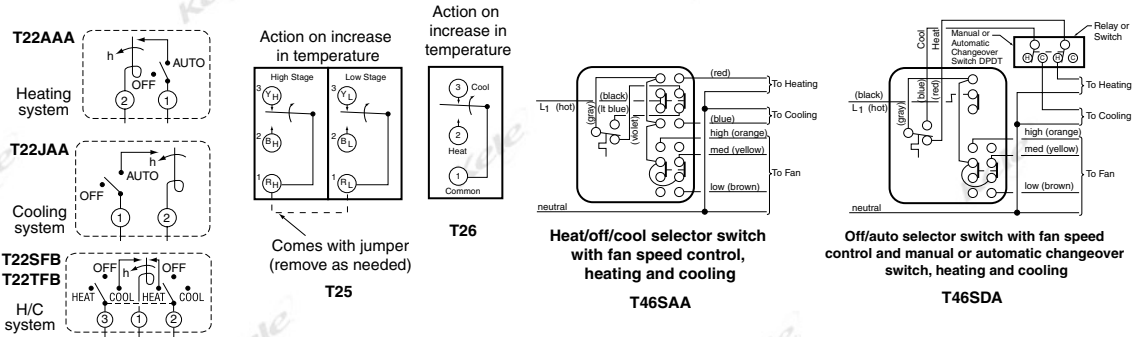
Switch Rating	120V	208V	240V	277V
AC full load amp	12	6.9	6	5.2
AC locked rotor amp	34.8	19.1	17.4	14.4

THERMOSTATS & CONTROLLERS

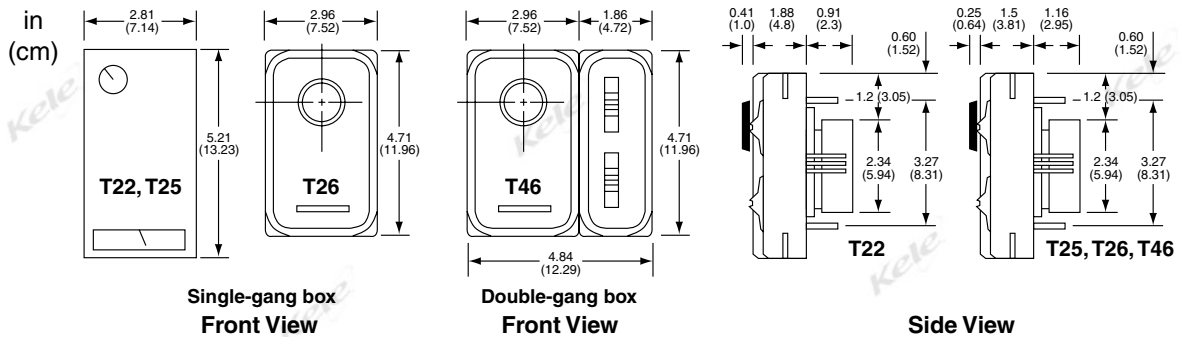
70°

LINE-VOLTAGE THERMOSTAT T22, T25, T26, T46

WIRING



DIMENSIONS



ORDERING INFORMATION

MODEL	ADJUSTMENT TYPE	APPLICATION	SELECTOR SWITCH	DIFFERENTIAL °F (°C)		WEIGHT lb (kg)
				HEATING	COOLING	
T46SDA-1	Knob	Heating or cooling SPDT	Off/Auto Low/Med/High	0.7 (0.4)	0.7 (0.4)	1.3 (0.59)
T46SAA-1	Knob	Heating and cooling SPDT	Heat/Off/Cool Low/Med/High	0.7 (0.4)	0.7 (0.4)	1.3 (0.59)
T26S-18*	Knob	Heating or cooling SPDT	None	1.75 (1.0)	2.25 (1.3)	1.0 (0.45)
T26T-3*	Knob	Heating or cooling SPDT, heavy-duty	None	3 (1.7)	3 to 4 (1.7 to 2.2)	1.0 (0.45)
T25A-1	Knob	Two-stage 2 SPDT switches, two-stage heating, cooling, or one-stage heating and one-stage cooling	None	1.75 (1.0)	2.25 (1.3)	1.5 (0.68)
T25A-16	Concealed			3 between stages (1.7)		1.5 (0.68)
T22AAA	Knob	Heating Only SPST	Off/Auto	0.7 (1)	N/A	1.3 (0.59)
T22JAA	Knob	Cooling Only SPST	Off/Auto	N/A	2.25 (1.3)	1.3 (0.59)
T22SFB	Knob	Heating and cooling SPDT	Heat/Off/Cool	1.75 (1)	2.25 (1.3)	1.3 (0.59)
T22TFB	Knob	Heating and cooling SPDT, Heavy Duty	Heat/Off/Cool	3 (1.7)	3 to 4 (1.7 to 2.2)	1.3 (0.59)

*Includes faceplate for horizontal mounting. The plate is for on-the-job installation over a vertical plate. Field convert to other configurations.

PLT333-12R
PLT333-3R

ACCESSORIES

T26 and T46 vertical plate with no adjust knob and no thermometer
T26 and T46 vertical plate with thermometer and no adjust knob